

Spare parts list

Edition 20120706



Valid for serial no. 0110702134, 01108075972

Ordering no. Product

0700 300 885 Welding power source Buddy™ Arc 180

0700 300 887 Welding power source Buddy™ Arc 200

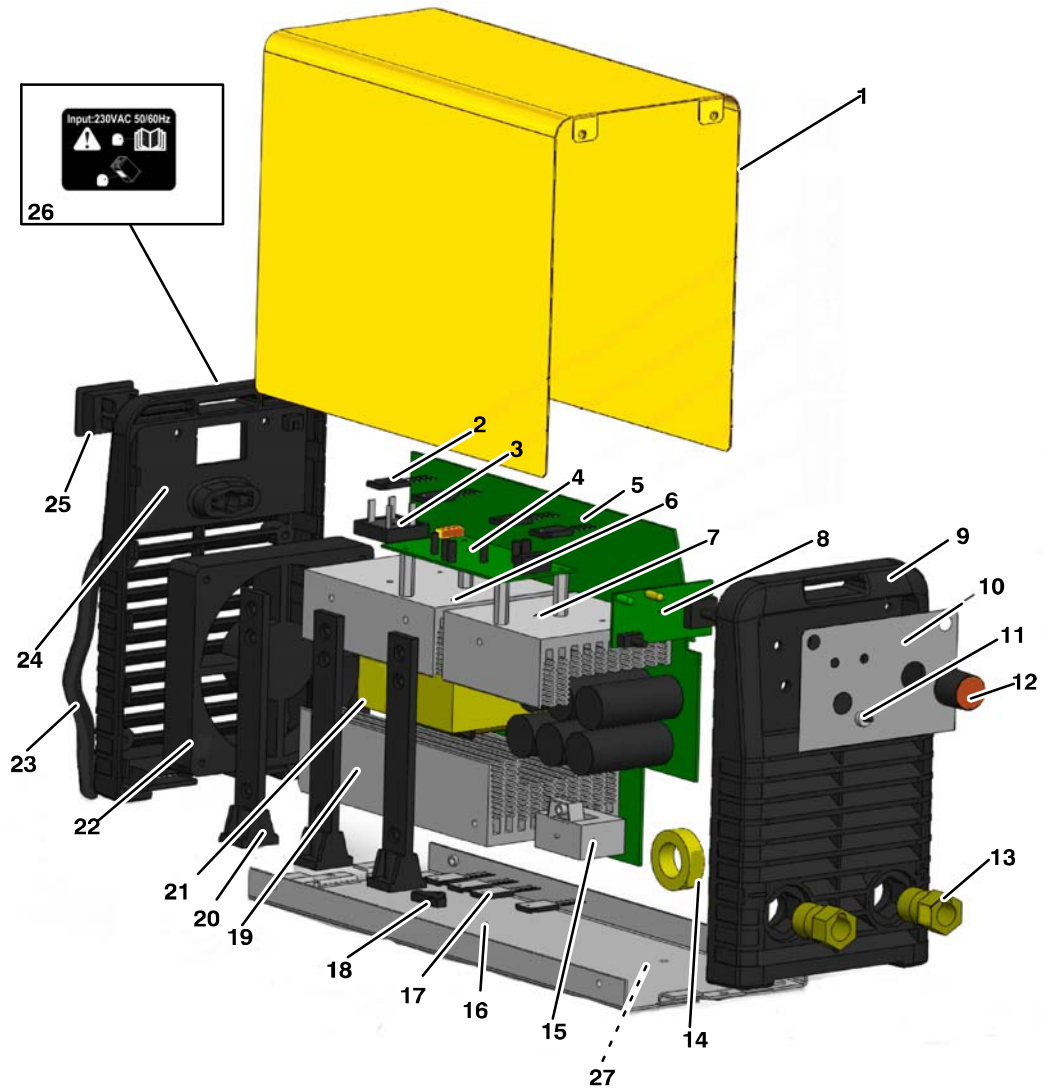
Spare parts are to be ordered through the nearest ESAB agency. Kindly indicate type of unit, serial number, denominations and ordering numbers according to the spare parts list.

Maintenance and repair work should be performed by an experienced person, and electrical work only by a trained electrician. Use only recommended spare parts.

Rights reserved to alter specifications without notice.

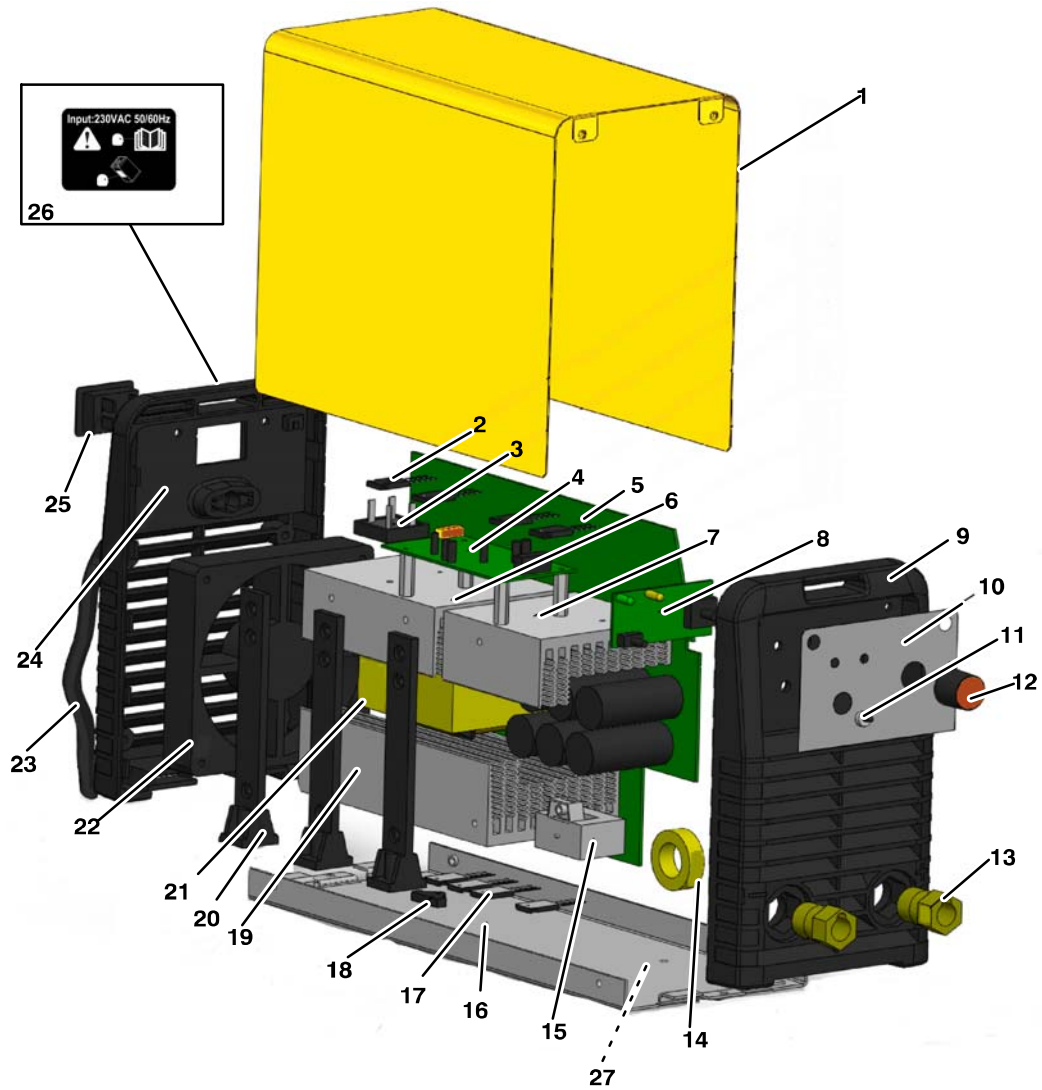
Arc 180

Item	Qty	Ordering no.	Denomination	Notes
1	1	0700 300 025	Machine cover	
2	1	0700 300 006	Transistor (IGBT)	
3	1	0700 300 004	Rectifier brdige	
4	1	0700 300 027	IGBT Control PC-board	
5	1	0700 300 133	Main PC-board	Includes pos 21
6	1	-	Heat sink 2	Not available
7	1	-	Heat sink 3	Not available
8	1	0700 300 030	Front panel PC-board complete	Incl. LED's and potentiometer
9	1	0700 300 031	Plastic front panel	Incl, Mesh
10	1	0700 300 096	Front panel nameplate	
11	1	0700 300 033	Rubber cap for switch	
12	1	0700 300 010	Adjustment knob	
13	1	0700 300 034	Socket	OKC machine 35-50 mm ²
14	1	0700 300 035	Inductor	
15	1	0700 300 036	Hall	
16	1	0700 300 037	Base panel	
17	1	0700 300 022	Fast recovery diode	
18	1	0700 300 023	Thermal relay	
19	1	-	Heat sink 1	Not available
20	1	0700 300 039	Heat sink holder	
21	1	-	Main transformer	Part of Main PC-board
22	1	0700 300 041	Cooling fan	
23	1	0700 300 042	Power cable	
24	1	0700 300 043	Plastic rear panel	Incl. Mesh
25	1	0700 300 044	On/Off switch	
26	1	0700 300 099	Warning label: Input Power	
27	1	0700 300 131	Rating plate	



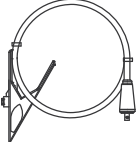
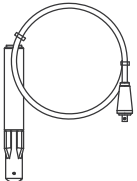

Arc 200

Item	Qty	Ordering no.	Denomination	Notes
1	1	0700 300 068	Machine cover	
2	1	0700 300 088	Transistor (IGBT)	
3	1	0700 300 004	Rectifier brdige	
4	1	0700 300 087	IGBT Control PC-board	
5	1	0700 300 069	Power system PC-board	Includes item 21
6	1	-	Heat sink 2	Not available
7	1	-	Heat sink 3	Not available
8	1	0700 300 030	Front panel PC-board complete	Incl. LED's and potentiometer
9	1	0700 300 031	Plastic front panel	Incl, Mesh
10	1	0700 300 097	Front panel nameplate	
11	1	0700 300 033	Rubber cap for switch	
12	1	0700 300 010	Adjustment knob	
13	1	0700 300 034	Socket	OKC machine 35-50 mm ²
14	1	-	Inductor	
15	1	0700 300 036	Hall	
16	1	0700 300 037	Base panel	
17	1	0700 300 022	Fast recovery diode	
18	1	0700 300 075	Thermal relay	
19	1	-	Heat sink 1	Not available
20	1	-	Heat sink holder	
21	1	-	Main transformer	Part of Main PC-board
22	1	0700 300 041	Cooling fan	
23	1	0700 300 042	Power cable	
24	1	0700 300 083	Plastic rear panel	Incl. Mesh
25	1	0700 300 081	On/Off switch	
26	1	0700 300 099	Warning label: Input Power	
27	1	0700 300 131	Rating plate	



Arc 200

Accessories

	Return cable with clamp 0700 300 863 3 m 16 mm ²
	Welding cable with electrode holder 0700 300 862 3 m 16 mm ²
	TIG torch 17v, 4 m 0700 300 861

